
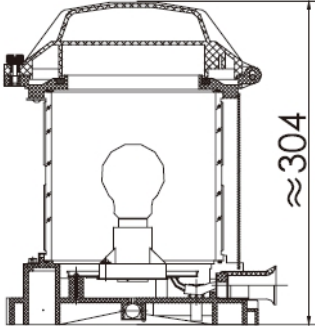
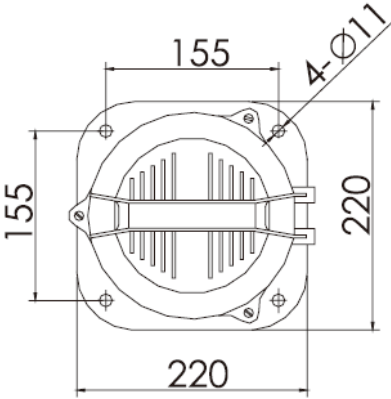


# NAVIGATION SIGNAL LIGHT

## S-HXC-1P

- Fit for the ship with the length of 50 meters or above 50 meters.
- Cable outside diameter:  $\Phi 11$  mm.

Product	Part No.	Specification			
  	S-HXC1-1P	Min. Visibility	3 nm	View Angle	112.5°
		Operation Temperature	-30°C~+50°C	Bulb	220V/65W 110V/60W 24V/60W
		Light Intensity	60cd	IP Code	IP56
		Color	Green	Weight	2.8kg
		Lamp Holder	B22d		
	S-HXC2-1P	Min. Visibility	3 nm	View Angle	112.5°
		Operation Temperature	-30°C~+50°C	Bulb	220V/65W 110V/60W 24V/60W
		Light Intensity	60cd	IP Code	IP56
		Color	Red	Weight	2.8kg
		Lamp Holder	B22d		
	S-HXC3-1P	Min. Visibility	6 nm	View Angle	225°
		Operation Temperature	-30°C~+50°C	Bulb	220V/65W 110V/60W 24V/60W
		Light Intensity	60cd	IP Code	IP56
		Color	Transparent	Weight	2.8kg
		Lamp Holder	B22d		
	S-HXC4-1P	Min. Visibility	3 nm	View Angle	135°
		Operation Temperature	-30°C~+50°C	Bulb	220V/65W 110V/60W 24V/60W
		Light Intensity	60cd	IP Code	IP56
		Color	Transparent Yellow	Weight	2.8kg
		Lamp Holder	B22d		
	S-HXC6-1P	Min. Visibility	3 nm	View Angle	360°
		Operation Temperature	-30°C~+50°C	Bulb	220V/65W 110V/60W 24V/60W
		Light Intensity	60cd	IP Code	IP56
		Color	Red/Green Transparent/Yellow	Weight	2.6kg
Lamp Holder		B22d			
International Standards	<ul style="list-style-type: none"> <li>■ Conform to INTERNATIONAL REGULATIONS FOR PREVENTING COLLISIONS AT SEA 1972.</li> <li>■ Conform to international standard of IEC60598-1-2008.</li> <li>■ Conform to performance standard of requirement about IMO Res.MSC.253(83).</li> <li>■ Conform to national standard of GB/T3028-2012.</li> <li>■ Conform to RULES FOR CLASSIFICATION OF SEA-GOING STEEL SHIPS.</li> <li>■ Approved by China Classification Society (CCS) and Type Approval of China Fishery Inspection Bureau(ZY).</li> <li>■ Passed the European Union (CE) certification.</li> </ul>				